

Oxygen Regulator

Flow Gentle+

P / G / Y

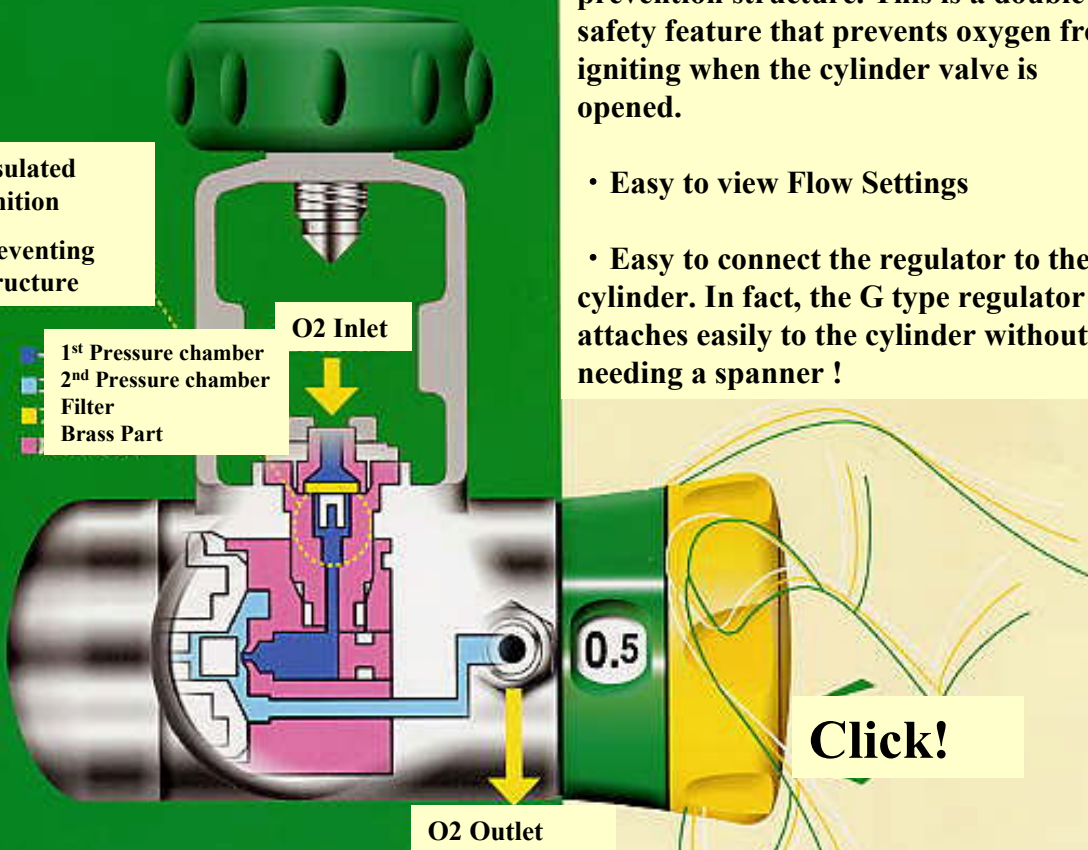


Flow Gentle+, a device that is safe & easy to use!

Easy to use, Easy to carry, and Easy to see!
These concepts make the Flow Gentle+ to be an extremely safe device.

Insulated Ignition Preventing Structure

- 1st Pressure chamber
- 2nd Pressure chamber
- Filter
- Brass Part



- Safety Features that prevents ignition

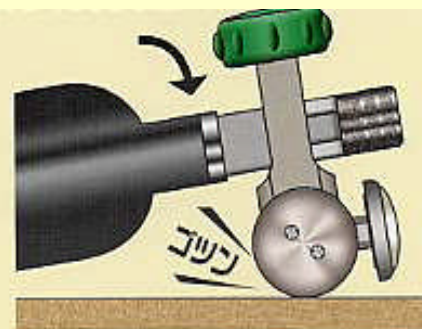
The primary pressure chamber is made out of brass with an insulated ignition prevention structure. This is a double safety feature that prevents oxygen from igniting when the cylinder valve is opened.

- Easy to view Flow Settings

• Easy to connect the regulator to the cylinder. In fact, the G type regulator attaches easily to the cylinder without needing a spanner !

Click!

Thin, Dome shaped Pressure Gauge
As the pressure gauge is at the top of the regulator, dangerous impacts with the floor are avoided in the event of the cylinder getting knocked over.



Oxygen Regulator

Flow Gentle+

P/G/Y Type

Flow Gentle+ LINE UP

P形

For Oxygen Outlet Valve: Color Yellow, White

P-2L/P-4L/P-6L/P-10L/P-10LF/P-15L



Example unit connected to a hospital outlet



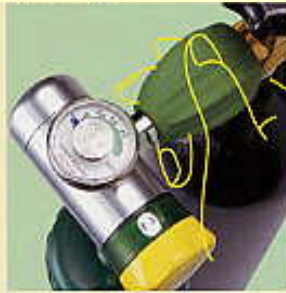
G形

For Oxygen Cylinder with Screw type valve

G-4L/G-6L/G-10L/G-10LF/G-15L



Soft Grip type handle



Attached to cylinder with G Type Valve

Does not need a spanner to connect to a cylinder.

Y形

For Oxygen Cylinder with Yoke Type Valve

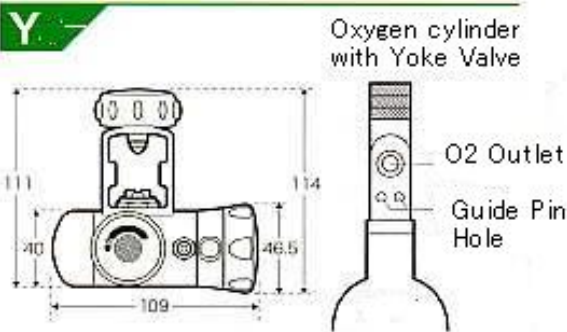
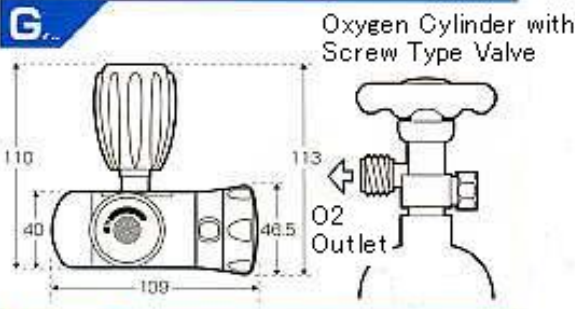
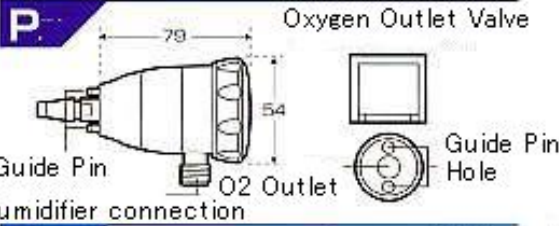
Y-4L/Y-6L/Y-8L/Y-10L/Y-10LF/Y-15L



Example unit on a Y Type Cylinder



Flow Gentle+



Specifications

	P Type	G Type	Y Type
Usage	For Medical Oxygen Inhaling Device		
Purpose	Outlet Valve	Cylinder(Screw)	Cylinder(Yolk)
Gas	Medical Oxygen (Purity Above 99.5%)		
Primary Pressure	N/A	0 - 30 MPa(No Usage of Oil)	
Humidifier Size	250 cc		N/A
Weight	295 g	640 g	525 g

Flow Range Chart

Type	Flow Rate Settings (L/min)												Note	
	0	0.2	0.3	0.4	0.6	0.8	1	1.2	1.4	1.6	1.8	2		
P	P-2L	0	0.2	0.3	0.4	0.6	0.8	1	1.2	1.4	1.6	1.8	2	⊙
	P-4L	0	0.25	0.5	0.75	1	1.25	1.5	1.75	2	2.5	3	4	
	P-6L	0	0.25	0.5	0.75	1	1.25	1.5	2	3	4	5	6	
	P-10L	0	0.5	1	1.5	2	3	4	5	6	7	8	10	
	P-10LF	0	1	2	3	4	5	6	7	8	9	10	30	⊙
	P-15L	0	1	1.5	2	3	4	5	6	7	9	12	15	
G	G-4L	0	0.25	0.5	0.75	1	1.25	1.5	1.75	2	2.5	3	4	
	G-6L	0	0.25	0.5	0.75	1	1.25	1.5	2	3	4	5	6	
	G-10L	0	0.5	1	1.5	2	3	4	5	6	7	8	10	
	G-10LF	0	1	2	3	4	5	6	7	8	9	10	30	⊙
	G-15L	0	1	1.5	2	3	4	5	6	7	9	12	15	
Y	Y-4L	0	0.25	0.5	0.75	1	1.25	1.5	1.75	2	2.5	3	4	
	Y-6L	0	0.25	0.5	0.75	1	1.25	1.5	2	3	4	5	6	
	Y-8L	0	0.5	1	1.5	2	2.5	3	4	5	6	7	8	
	Y-10L	0	0.5	1	1.5	2	3	4	5	6	7	9	10	
	Y-15L	0	1	1.5	2	3	4	5	6	7	9	12	15	
Y-10LF	0	1	2	3	4	5	6	7	8	9	10	30	⊙	

*Products with an (F) at the back of the type connects to a tubing (not designed to be used with a humidifier).

*Products with ⊙ are for special use.



24-8 Matsushima 1-chome, Edogawa-ku, Tokyo 132-0031, Japan
Phone: 81 (3)5662-6607 Fax: 81 (3)5662-6540

Exclusive Philippine Distributor:

WellnessPRO
tomorrow's medical devices

Unit 808 Richmond Plaza, San Miguel Ave cor Lourdes St.,
Ortigas Ctr. Pasig City 1605 Philippines
Mobile no.: +63 922 896 0964
Tel. no.: +63 2 636 3580, +63 2 637 0930, +63 2 637 0473
Fax: +63 2 636 7542
Email: wellnessproinc@gmail.com, jcjuan@wellnessproinc.com
www.wellnessproinc.com