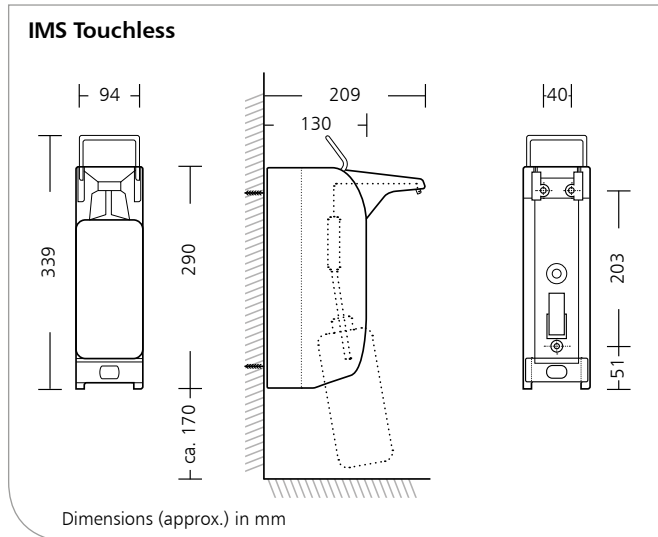


IMS Touchless

dispenser for soap and disinfectant with automatic measurement of hand hygiene behaviour, aluminium, touchless operation, 500 ml and 1000 ml



Product characteristics

- ▶ Dispenser with automatic measurement of hand hygiene behaviour
- ▶ Fully automated data transfer via WiFi to analysis tool
- ▶ Function check, with automatic notification in the case of faults
- ▶ Data transmission via radio transmission ("WiFi"), Data evaluation using OHMS software
- ▶ For dosing of alcohol-based hand disinfectants, liquid soaps, lotions, etc.
- ▶ For 500 ml or 1000 ml disposable bottles, as well as refillable containers
- ▶ With DHP disposable hygiene pump, also suitable for use with the replaceable stainless steel pump
- ▶ Pivoting face shield for simple pump replacement from the front without having to remove the dispenser from the wall
- ▶ Incl. mounting kit for three-point wall mounting

Interesting information

- References:
- ▶ Clinics, doctors' practices, health and care facilities, laboratories, rescue stations, commercial kitchens, foodstuffs industry
- Application examples:
- ▶ Especially suitable for hygiene-sensitive areas for analyzing hand hygiene

Technical data dispenser

- Housing: Aluminium, silver anodized
- Dosing pump: DHP disposable hygiene pump, made with recyclable plastic (standard pump, for other pumps see overleaf)
- Dispensing quantity: 1.5 ml/stroke (depending on the viscosity of the filling material)
- Operating lever: Stainless steel
- Wall plate: Standard ingo-man® plastic wall plate
- Wall mounting: Wall mounting with 3 screws and wall plugs
- Cleaning: Housing not autoclavable, cannot be cleaned in the thermal washer disinfectant, wipe disinfection possible, stainless steel pump can be cleaned in the thermal washer disinfectant and autoclavable up to 134° C, 2 bar

Technical data WiFi module

- Frequency: 2,402 to 2,480 MHz
- Modulation: 802.11b compatibility: DSSS (CCK-11, CCK-5.5, DQPSK-2, DBPSK-1)
802.11g: OFDM (default)
- Channels: 1 - 11
- Transmission rate: 1 - 11 Mbps for 802.11b / 6 - 54 Mbps for 802.11g
- Receive sensitivity: -85 dBm typ
- Output level: +18 dBm

Description for tender - see overleaf

IMS Touchless/0220/2.3

Subject to technical modifications.
Tests are required before new filling materials are used!



Ophardt Hygiene-Technik GmbH + Co. KG

Lindenau 27 | 47661 Issum | Germany
Tel.: +49 (0) 28 35 18-10 | Fax +49 (0) 28 35 18-77
planer@ophardt.com | www.ophardt.com

IMS Touchless

dispenser for soap and disinfectant with automatic measurement of hand hygiene behaviour, aluminium, touchless operation, 500 ml or 1000 ml

Description for tender

**ingo-man® smart IMS Touchless T A/DHP
Art. No. 4402294**

. . . Pcs. Soap-/disinfectant dispenser, 1000 ml, suitable for standard Euro-bottles and hygiene packages, integrated counting function to measure hand hygiene behaviour, aluminum housing, incl. 5 alkaline "D" batteries, touchless, 2 proximity sensors, triggering of the pump mechanism from above and below the pump outlet, dispenser and pump are not autoclavable and not dishwasher-safe, recyclable disposable pump, plastic, pump can be quickly and simply removed through front removal
Dimensions: W 94 x H 339 x D 209 mm

**ingo-man® smart IMS Touchless T A
Art. No. 4400066**

. . . Pcs. Soap-/disinfectant dispenser, 1000 ml, suitable for standard Euro-bottles and hygiene packages, integrated counting function to measure hand hygiene behaviour, aluminum housing, incl. empty bottle and 5 alkaline "D" batteries, touchless, 2 proximity sensors, triggering of the pump mechanism from above and below the pump outlet, dispenser is not autoclavable and not dishwasher-safe, autoclavable and dishwasher-safe, replaceable stainless steel pump, pump can be quickly and simply removed for cleaning through front removal - can be put back into service in reverse order with "push and click" system
Dimensions: W 94 x H 339 x D 209 mm

Product: **ingo-man® smart**
Manufacturer: OPHARDT HYGIENE-TECHNIK GmbH + Co. KG