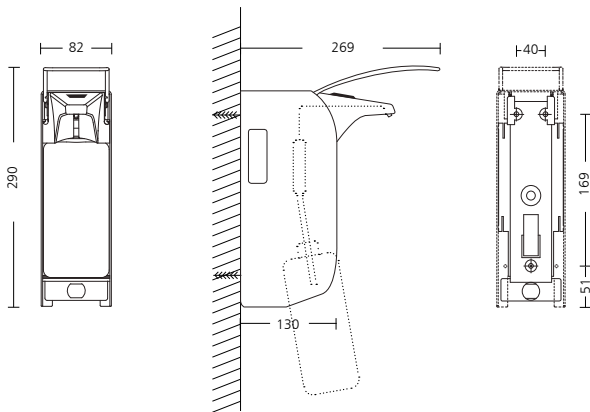




IMS e-pro

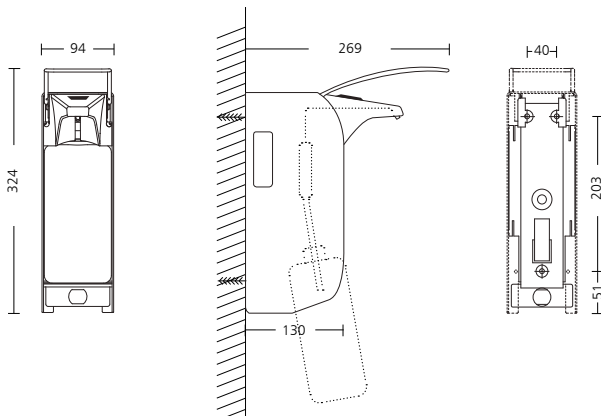
dispenser for soap and disinfectant with automatic measurement of hand hygiene behavior, aluminium, long operating lever, 500 ml and 1000 ml

IMS e-pro ELS



Dimensions (approx.) in mm

IMS e-pro TLS



Dimensions (approx.) in mm

Product characteristics

- ▶ Dispenser with automatic measurement of hand hygiene behavior
- ▶ Automatic warning when bottle needs to be changed
- ▶ Function check, with automatic notification in the case of faults
- ▶ Data transmission via radio transmission ("WiFi"), Data evaluation using OHMS software
- ▶ "Green Technology", electrical energy is generated by using the operating lever
- ▶ For dosing of alcohol-based hand disinfectants, liquid soaps, lotions, etc.
- ▶ For 500 ml or 1000 ml disposable bottles, as well as refillable containers and hygiene packages
- ▶ With DHP disposable pump, also suitable for use with the replaceable stainless steel pump
- ▶ Pivoting face shield for simple pump replacement from the front without having to remove the dispenser from the wall
- ▶ Incl. mounting kit for three-point wall mounting

Interesting information

References:

- ▶ Clinics, doctors' practices, health and care facilities, laboratories, rescue stations, commercial kitchens, foodstuffs industry

Application examples:

- ▶ Especially suitable for hygiene-sensitive areas for carrying out and analyzing hand hygiene

Technical data dispenser

| | |
|----------------------|---|
| Housing: | Aluminium, silver anodized |
| Dosing pump: | DHP disposable hygiene pump, made with recyclable plastic (standard pump, for other pumps see overleaf) |
| Dispensing quantity: | 1.5 ml/stroke (depending on the viscosity of the filling material) |
| Operating lever: | Stainless steel |
| Wall plate: | Standard ingo-man® plastic wall plate |
| Wall mounting: | Wall mounting with 3 screws and wall plugs |
| Cleaning: | Housing not autoclavable, cannot be cleaned in the thermal washer disinfectant, wipe disinfection possible, stainless steel pump can be cleaned in the thermal washer disinfectant and autoclavable up to 134° C, 2 bar |

Technical data WiFi module

| | |
|----------------------|--|
| Frequency: | 2,402 to 2,480 MHz |
| Modulation: | 802.11b compatibility: DSSS (CCK-11, CCK-5.5, DQPSK-2, DBPSK-1) 802.11g: OFDM (default) |
| Channels: | 1 - 11 |
| Transmission rate: | 1 - 11 Mbps for 802.11b / 6 - 54 Mbps for 802.11g |
| Receive sensitivity: | -85 dBm typ |
| Output level: | +18 dBm |

Description for tender - see overleaf

IMS e-pro/0220/2.2

Subject to technical modifications.
Tests are required before new filling materials are used!



Ophardt Hygiene-Technik GmbH + Co. KG

Lindenau 27 | 47661 Issum | Germany

Tel.: +49 (0) 28 35 18-10 | Fax +49 (0) 28 35 18-77

planer@ophardt.com | www.ophardt.com

IMS e-pro

dispenser for soap and disinfectant with automatic measurement of hand hygiene behavior, aluminium, long operating lever, 500 ml and 1000 ml

Description for tender

... Pcs. **IMS e-pro ELS A/DHP Art. No. 4402292**
Soap-/disinfectant dispenser, 500 ml, silver anodized aluminium housing, stainless steel long operating lever, fully automated data transfer with integrated counter, "Green Technology", electric energy is generated in the dispenser by the user, automatic warning when bottle needs to be changed, suitable for standard disposable bottles, refillable containers and hygiene packages, dispenser and pump are not autoclavable and not dishwasher-safe, recyclable disposable pump, plastic, pump can be quickly and simply removed through front removal
Dimensions: W 82 x H 290 x D 269 mm

... Pcs. **IMS e-pro TLS A/DHP Art. No. 4402293**
Soap-/disinfectant dispenser, 1000 ml, silver anodized aluminium housing, stainless steel long operating lever, fully automated data transfer with integrated counter, "Green Technology", electric energy is generated in the dispenser by the user, automatic warning when bottle needs to be changed, suitable for standard disposable bottles, refillable containers and hygiene packages, dispenser and pump are not autoclavable and not dishwasher-safe, recyclable disposable pump, plastic, pump can be quickly and simply removed through front removal
Dimensions: W 94 x H 324 x D 269 mm

... Pcs. **IMS e-pro ELS A/24 Art. No. 1418869**
Soap-/disinfectant dispenser, 500 ml, silver anodized aluminium housing, stainless steel long operating lever, fully automated data transfer with integrated counter, "Green Technology", electric energy is generated in the dispenser by the user, automatic warning when bottle needs to be changed, incl. empty bottle, suitable for standard disposable bottles, refillable containers and hygiene packages, dispenser is not autoclavable and not dishwasher-safe, autoclavable and dishwasher-safe, replaceable stainless steel pump, pump can be quickly and easily removed for cleaning through front removal - can be put back into service in reverse order with "push and click" system
Dimensions: W 82 x H 290 x D 269 mm

... Pcs. **IMS e-pro TLS A/24 Art. No. 1418870**
Soap-/disinfectant dispenser, 1000 ml, silver anodized aluminium housing, stainless steel long operating lever, fully automated data transfer with integrated counter, "Green Technology", electric energy is generated in the dispenser by the user, automatic warning when bottle needs to be changed, incl. empty bottle, suitable for standard disposable bottles, refillable containers and hygiene packages, dispenser is not autoclavable and not dishwasher-safe, autoclavable and dishwasher-safe, replaceable stainless steel pump, pump can be quickly and easily removed for cleaning through front removal - can be put back into service in reverse order with "push and click" system
Dimensions: W 94 x H 324 x D 269 mm

Product: **ingo-man® smart**
Manufacturer: OPHARDT HYGIENE-TECHNIK GmbH + Co. KG

Compatible accessories

- ▶ VF IMS e-pro E A locking plate, aluminium, protect against theft of both the dispenser and the hand care products inside, for 500 ml dispenser
Art. No. 2400195
- ▶ VF IMS e-pro T A locking plate, aluminium, protect against theft of both the dispenser and the hand care products inside, for 1000 ml dispenser
Art. No. 2400197